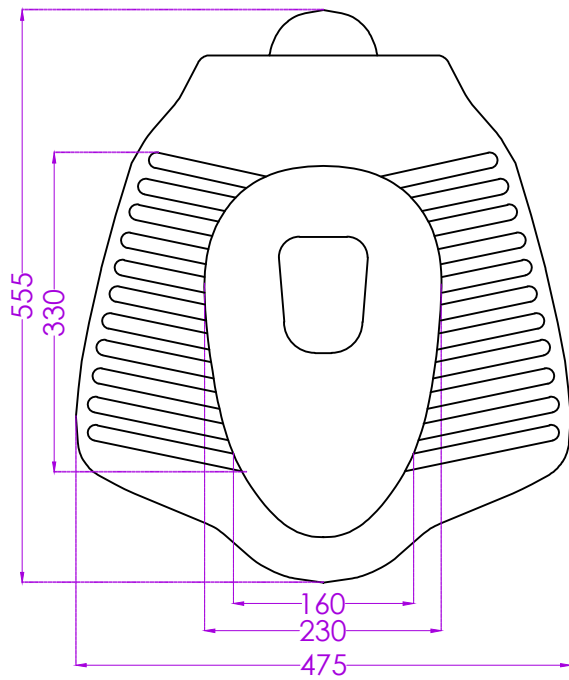
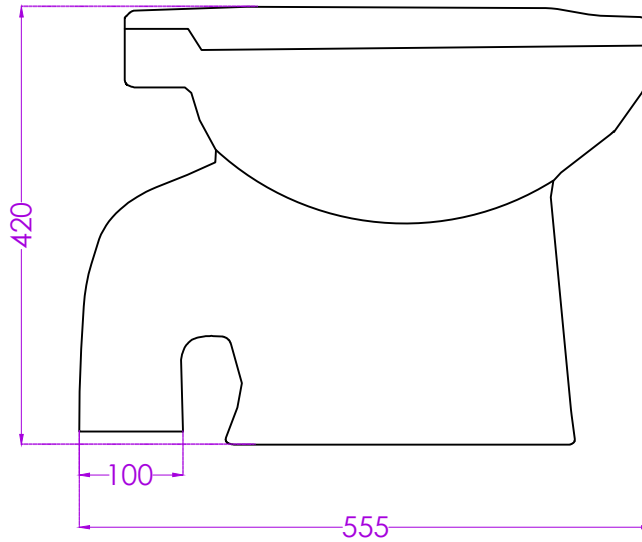


CORAL P0134PW0101
ANGLO INDIAN S TRAP EWC

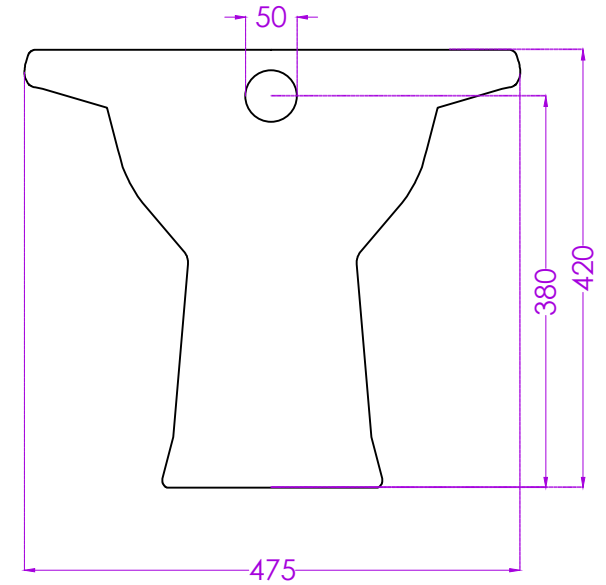
JOHNSON



PLAN



SIDE



BACK